

Z665 12" WIDE HEAVY-DUTY MODULAR TRENCH DRAIN



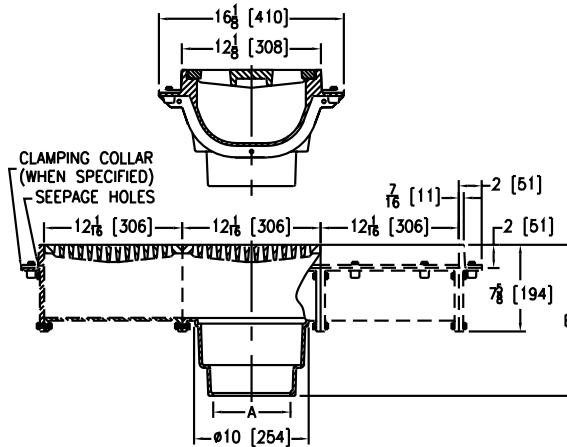
ENGINEERING SPECIFICATION

Zurn Z665 12" wide top modular trench drain features Dura-Coated cast iron deep sump body with bottom outlet. Both 12" long outlet module and extension modules are complete with integral seepage pan and heavy-duty, loose, slotted grate.

NOTES

†Add 1/8" to 'E' and 2" dimension for ZB and ZN

A Pipe Size inch [mm]	Grate Open Area sq in [cm ²]	Approximate Weight lb [kg]
2 [51], 3 [76], 4 [102]	35 [226]	100 [45]
5 [127], 6 [152]		110 [50]



PREFIXES	DESCRIPTION	PIPE SIZE	LIST PRICE
Z665*	D.C.C.I. Body and Top	2", 3", 4", 5", 6"	1,949.00
ZB665	D.C.C.I. Body with Polished Bronze Top	2", 3", 4", 5", 6"	2,906.00
ZN665	D.C.C.I. Body With Veneers (304SS Standard)	2", 3", 4", 5", 6"	3,051.00

OUTLETS (SPECIFY PIPE SIZE IN INCHES AND TYPE OF OUTLET)				
OUTLET TYPE	PIPE SIZE/OUTLET TYPE	E BODY HT. DIM.	ADD	
IC	Inside Caulk	2IC, 3IC, 4IC, 5IC, 6IC	13-3/16"	N/C
IG	Inside Caulk w/ Sealrol Gasket	2IG, 3IG, 4IG, 6IG	13-3/16"	N/C
NL	Neo-Loc	2NL, 3NL, 4NL	12-1/2"	N/C

SUFFIXES			ADD
-AR	Acid Resisting Epoxy Coated Cast Iron (Per Section)		764.00
-C	Clamp Collar (Per Section)		158.00
-DB	Bottom Dome Strainer (Per Outlet Section)		285.00
-DG	Duresist Grate (Per Section)		712.00
-ES	12" Extension Section (Specify Number of Sections Required)	Z	1,949.00
		ZB	2,857.00
		ZN	3,051.00
-G	Galvanized Cast Iron (Per Section)		641.00
-HP	Heel-Proof Grate (Per Section) (ZB and ZN only)		645.00
-M	Side Outlet Adapter Via End Plate		382.00
-SB	Shallow Body (Bucket not available with this option.)		N/C
-SQ	Square Slotted Medium-Duty Grate (Per Section)		N/C
Ⓢ -TC	Neo-Loc Test Cap Gasket (2", 3", 4" NL Bottom Outlet Only)		24.00
-TS	Top Secured with Slotted Screws (Per Section)		181.00
-VP	Vandal-Proof Secured Top (Per Section)		242.00
-Y	Sediment Bucket (Per Outlet Section)		561.00

BEST SELLERS		LIST PRICE
Z665-3NL(3)-DB-DG-ES(12)		40,770.00
Z665-3NL-ES(23)		46,776.00
Z665-4NL		1,949.00
Z665-4NL-DB-DG-ES(8)		24,234.00
Z665-4NL-ES(18)		37,031.00
Z665-4NL-ES(19)		38,980.00
Z665-4NL-ES(23)		46,776.00
Z665-4NL-ES(31)		62,368.00
Z665-4NL-Y-ES(8)		18,102.00
Z665-6IG		1,949.00
Z665-6IG-ES(53)		105,246.00

Supplied By:



877-903-7246

www.commercialplumbingsupply.com